

SWITCH CAM MUST BE FREE TO ROTATE 360°

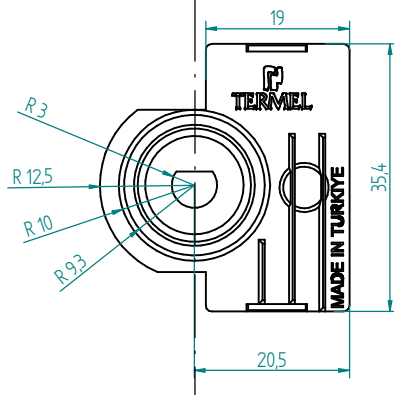
**SWITCH BODY:** PA 6.6 20-30% GLASSFIBER REINFORCED  
**CONTACTS:** PHOSPHORUS-BRONZE  
**CABLES:** Ø 2.1 mm SILICON 0,5 mm<sup>2</sup> COPPER  
**SWITCHING LIFE:** >50.000 for each switch  
**TEMPERATURE RATING:** 130 C°  
**BACK FACE OF SWITCHES:**  
 PRODUCT CODE AC 250 V 0,1 A T 130

**GENERAL TOLERANCES**

0-6 mm	±0.25
6-18 mm	±0.35
18-50 mm	±0.5
50-100 mm	±1
100-... mm	±2

All drawing units are mm and without scale

80	80	80	-	-	720	565	960	805	
A	B	C	D	E	L1	L2	L3	L4	



DATE: 17.05.2018	CONTROL: E.KOCYIGIT	CUSTOMER CODE:
DRAWING: HÜSEYİN DÜŞÜN		CUSTOMER NAME:
PRODUCT CODE: 718.42-4.T012	PRODUCT NAME: ROTARY SWITCHBAND 4 PCS. FOR GAS IGNITION	



**TERMEL**

Makina Sanayi ve Ticaret Ltd. Şti.  
 Çavuşoğlu mh. Sanatkarlar cd. No:8 Kartal  
 İstanbul / TÜRKİYE  
 Tel: +90 216 389 87 41 - 387 26 03  
 Fax: +90 216 374 59 21  
 E mail: info@termel.com.tr