

**TECHNICAL SPECIFICATIONS**

Type: 751.06.01

Operating Power: 50 N

Discharge Voltage:  $\geq 16$  kV

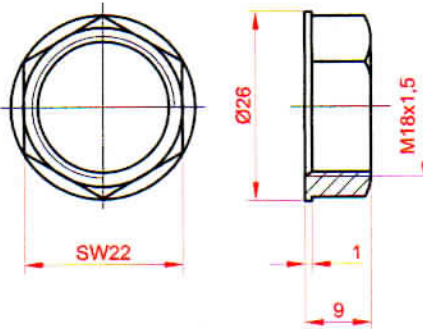
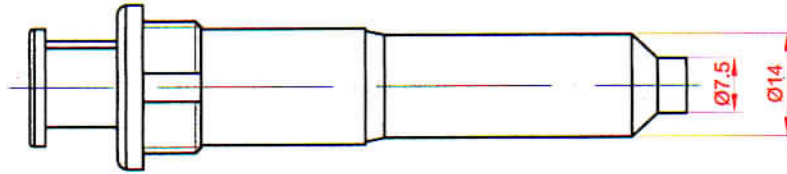
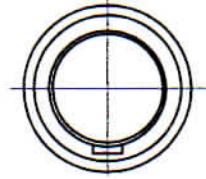
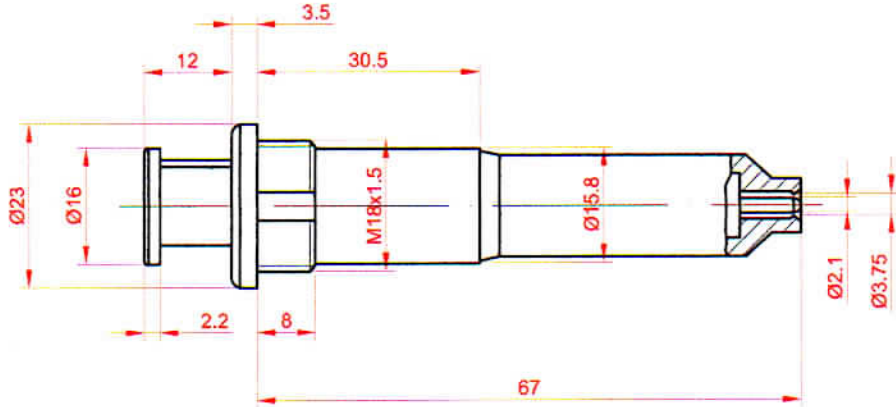
Working Temperature: max. 120°C

Spark Gap Distance: 6 mm

Outlet:  $\text{Ø}2.1$  mm  $\pm 0.5$  mm

Weight: 29 gr.

Igniter Body: PA 6.6 30% fiberglass reinforces

**GENERAL TOLERANCES**0-6 mm  $\pm 0.25$ 6-18 mm  $\pm 0.35$ 18-50 mm  $\pm 0.5$ 50-... mm  $\pm 0.8$ 

DATE : 31.10.2005

CONTROL:  
E.KOCYIGIT

CUSTOMER CODE:

DRAWING : I.TASTAN

CUSTOMER NAME:

PRODUCT CODE:  
751.06.01PRODUCT NAME:  
PIEZO IGNITER**TERMEL**

Makina Sanayi ve Ticaret Limited Şti.

Cavusoglu mh. Selviyolu cd. No:8 Kartal  
İstanbul / TÜRKİYE  
Tel: +90 216 389 87 41 - 387 26 03  
Fax: +90 216 374 59 21  
E mail: info@termel.com.tr  
Web: www.termel.com.tr